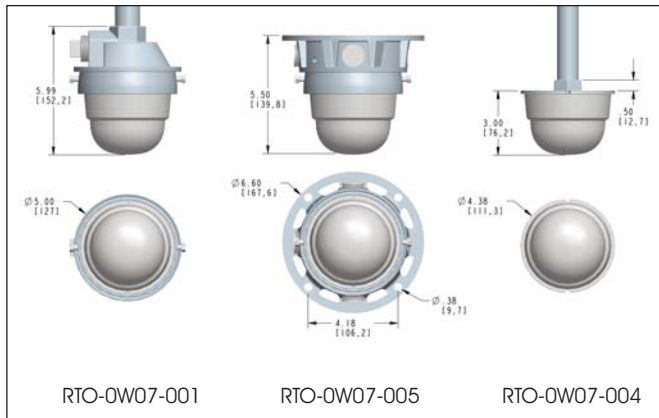




DuroSite™ SERIES LED WHITE DOWNLIGHT



Dimensions in Inches [mm]

Certifications & Ratings:

- ▷ UL1598
- ▷ CSA C22.2 #250

Features & Benefits:

- ▷ Low power consumption
- ▷ Instant on/off response
- ▷ Weather/corrosion resistant lamp assembly and housing
- ▷ Universal input (120-240 VAC), 50/60 Hz
- ▷ Resistant to shock and vibration
- ▷ 5 year warranty
- ▷ 70% lumen maintenance after 60,000 operating hours

Order Codes:

Part Number	Mounting
RTO-0W07-001	Downlight - Pendant Mount w/ Junction Box
RTO-0W07-005	Downlight - Ceiling Mount w/ Junction Box
RTO-0W07-004	Downlight only - Pendant Mount

Application:

Dialight introduces the new state-of-the-art fixture for industrial general lighting. Its rugged solid state design creates a new era where failed lamps and expensive relamping costs become a thing of the past. The RTO series incorporates cutting edge LED technology and is the most efficient light source available for industrial lighting applications. Whether your application is in a refinery, oil platform, chemical plant or any other industrial application, this fixture offers improved performance across the board.

All of Dialight's long life LED luminaires are designed to meet the most demanding specification criteria while offering maximum energy savings, reduced maintenance costs, and a superior quality of light.

Mechanical Information:

Container Dimensions: 7.60" x 5.25" x 5.75"
193.04mm x 133.35 mm x 146.05mm

Container Weight: 2 lbs (0.91 kg)

Mounting:
Pendant Mount (-001) - 1" & 3/4" NPT reducer bi-directional mounting
Ceiling Mount (-005) - 3/4" NPT 5-way surface mounting
Pendant Mount (-004) - with 3/4" NPT threaded conduit

Electrical specifications:

Operating Voltage: 120-240 VAC, 50/60 Hz

Power Consumption: 8 W (nom)

Operating Temp: -40°F to +133°F (-40°C to +55°C)

Surge / Lightning Protection:
1 kV line to line
2 kV line to ground

THD: < 20 %

Power Factor: > 0.9

Material:

Housing: Diecast powder coat aluminum base

Lens: UV stabilized abrasion resistant polycarbonate

Photometric Information:

CRI: 70

CCT: 4600-5600K

*Accessories - Wall Mount Kits:

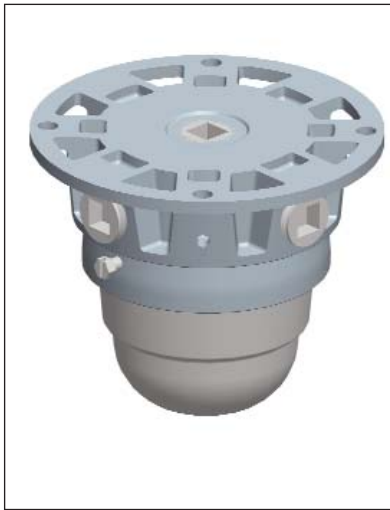
Part Number	Mounting
RTO-1000	Flush wall mount
RTO-1001	Junction box wall mount

*For use with pendant mount fixtures

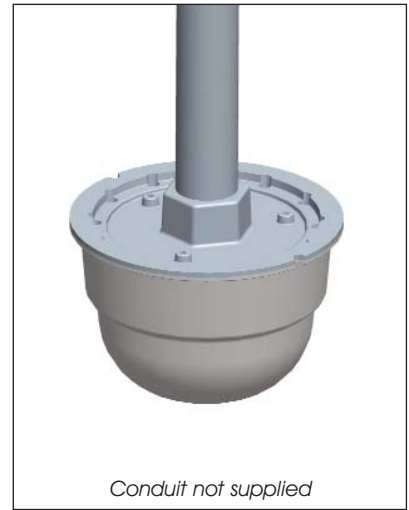
DuroSite™ RTO Series LED White Downlight Mounting Options



Pendant Mount Configuration
RTO-0W07-001
(w/ Junction Box)

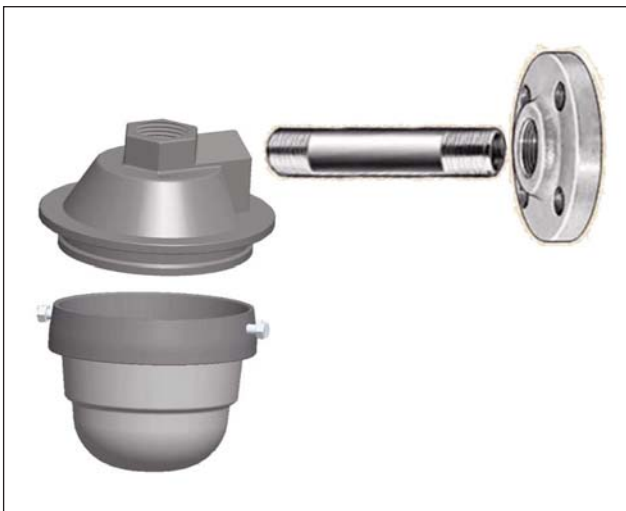


Ceiling Mount Configuration
RTO-0W07-005
(w/ Junction Box)

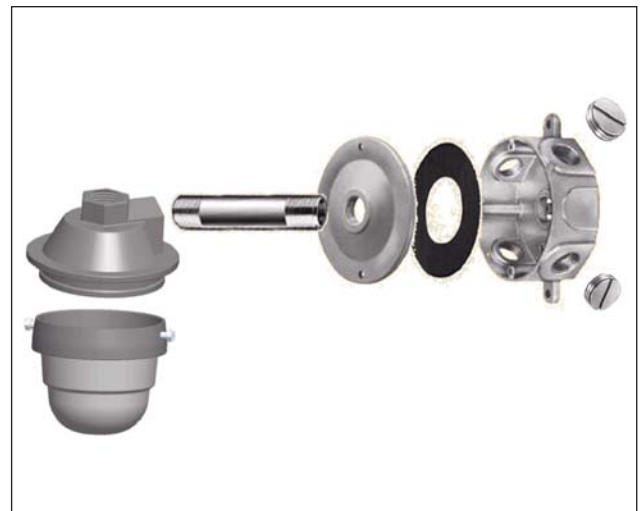


Pendant Mount Configuration
RTO-0W07-004

DuroSite™ RTO Series LED Visual Signal Lights Mounting Accessories



Flush Wall Mount
RTO-1000



Junction Box Wall Mount
RTO-1001

The most current version of this document will always be available at:
www.dialight.com/Assets/Brochures_And_Catalogs/Illumination/MDTFWRTOX001

MDTFWRTOX001_B